



Current Transformer

M 780 SR

Plastic cased current transformer ideal for Switchgear & Controlgear applications.

Manufactured with integral mounting points and suitable for Protection, Relaying or Measuring Classes with single primary ratios up to 6000A and 5A secondary.

Meets: IEEE C57.13 & IEC 61869 Standards

Window Diameter: 165mm



Characteristics

Highest Voltage	0.66kV/0.72kV	Material Thermal Class	E
Standard	IEEE C57.13	Robust construction	Yes
Frequency	As Shown	BIL (full wave)	10 kV
UL Variant Available	No		

IEEE C57.13 Classes at 60Hz

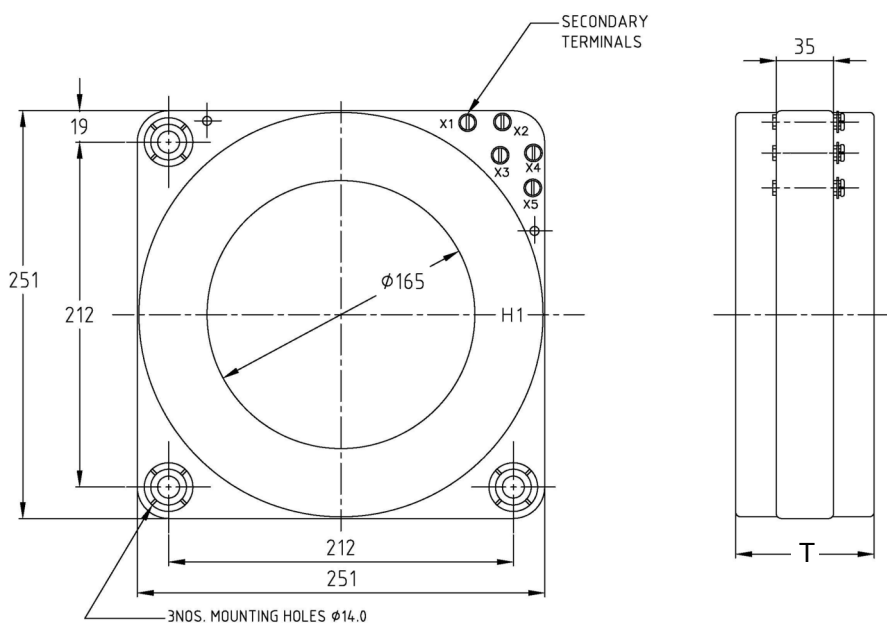
Part Number	Ratio	Relay Class	IEEE Metering Class				
			B0.1	B0.2	B0.5	B0.9	B1.8
521/45651	50/5	-	4.8	-	-	-	-
521/45652	75/5	C10	4.8	4.8	-	-	-
521/45653	100/5	C10	1.2	2.4	4.8	-	-
521/45654	150/5	C20	0.6	1.2	2.4	2.4	4.8
521/45655	200/5	C20	0.6	0.6	1.2	2.4	4.8
521/45656	250/5	C20	0.6	0.6	0.6	1.2	2.4
521/45657	300/5	C20	0.3	0.6	0.6	1.2	2.4
521/45658	400/5	C50	0.3	0.3	0.6	0.6	1.2
521/45659	500/5	C50	0.3	0.3	0.3	0.6	0.6
521/45660	600/5	C100	0.3	0.3	0.3	0.3	0.6
521/45661	800/5	C100	0.3	0.3	0.3	0.3	0.6
521/45662	1000/5	C100	0.3	0.3	0.3	0.3	0.3
521/45663	1200/5	C200	0.3	0.3	0.3	0.3	0.3
521/45664	1500/5	C200	0.3	0.3	0.3	0.3	0.3
521/45665	1600/5	C200	0.3	0.3	0.3	0.3	0.3
521/45666	2000/5	C200	0.3	0.3	0.3	0.3	0.3
521/45667	2500/5	C200	0.3	0.3	0.3	0.3	0.3
521/45668	3000/5	C200	0.3	0.3	0.3	0.3	0.3
521/45669	3200/5	C200	0.3	0.3	0.3	0.3	0.3
521/45670	3500/5	C200	0.3	0.3	0.3	0.3	0.3
521/45671	4000/5	C200	0.3	0.3	0.3	0.3	0.3
521/45672	5000/5	C200	0.3	0.3	0.3	0.3	0.3
521/45673	6000/5	C200	0.3	0.3	0.3	0.3	0.3

Issue 04/2019

**IEC 61869
Protection Classes at 50Hz**

**IEC 61869
Measuring Classes at 50Hz**

Part Number	Ratio	Burden (VA)					Burden (VA)				
		2.5	5	10	15	30	2.5	5	10	15	30
521/45674	50/5	-	-	-	-	-	5	-	-	-	-
521/45675	75/5	10P15	10P5	-	-	-	3	3	-	-	-
521/45676	100/5	10P15	10P10	10P5	-	-	3	3	3	-	-
521/45677	150/5	5P20	10P10	10P5	-	-	1	3	3	-	-
521/45678	200/5	5P20	5P15	5P10	10P5	-	0.5	1	1	3	-
521/45679	250/5	5P30	5P20	5P10	5P5	-	0.5	0.5	1	1	3
521/45680	300/5	5P30	5P30	5P15	5P10	5P5	0.5	0.5	0.5	1	1
521/45681	400/5	5P30	5P30	5P20	5P15	5P5	0.2	0.5	0.5	1	1
521/45682	500/5	5P30	5P30	5P20	5P20	5P10	0.2	0.2	0.2	0.5	1
521/45683	600/5	5P30	5P30	5P30	5P20	5P10	0.2	0.2	0.2	0.5	0.5
521/45684	750/5	5P30	5P30	5P30	5P20	5P15	0.2	0.2	0.2	0.2	0.2
521/45685	800/5	5P30	5P30	5P30	5P30	5P15	0.2	0.2	0.2	0.2	0.2
521/45686	1000/5	5P30	5P30	5P30	5P30	5P20	0.2	0.2	0.2	0.2	0.2
521/45687	1200/5	5P30	5P30	5P30	5P30	5P20	0.2	0.2	0.2	0.2	0.2
521/45688	1500/5	5P30	5P30	5P30	5P30	5P20	0.2	0.2	0.2	0.2	0.2
521/45689	1600/5	5P30	5P30	5P30	5P30	5P30	0.2	0.2	0.2	0.2	0.2
521/45690	2000/5	5P30	5P30	5P30	5P30	5P20	0.2	0.2	0.2	0.2	0.2
521/45691	2500/5	5P30	5P30	5P30	5P30	5P30	0.2	0.2	0.2	0.2	0.2
521/45692	3000/5	5P30	5P30	5P30	5P30	5P30	0.2	0.2	0.2	0.2	0.2
521/45693	3200/5	5P30	5P30	5P30	5P30	5P20	0.2	0.2	0.2	0.2	0.2
521/45694	3500/5	5P30	5P30	5P30	5P30	5P20	0.2	0.2	0.2	0.2	0.2
521/45695	4000/5	5P30	5P30	5P30	5P30	5P20	0.2	0.2	0.2	0.2	0.2



Model No	T
ITL/M780	86 mm
ITL/M781	86 mm
ITL/M785	172 mm
ITL/M786	172 mm