



# Current Transformer

# M 781 MRP

Plastic cased current transformer ideal for Switchgear & Controlgear applications.

Manufactured with integral mounting points and suitable for Protection or Relaying Classes with multi-primary ratios up to 4000A and 5A secondary.

Window Diameter: 165mm

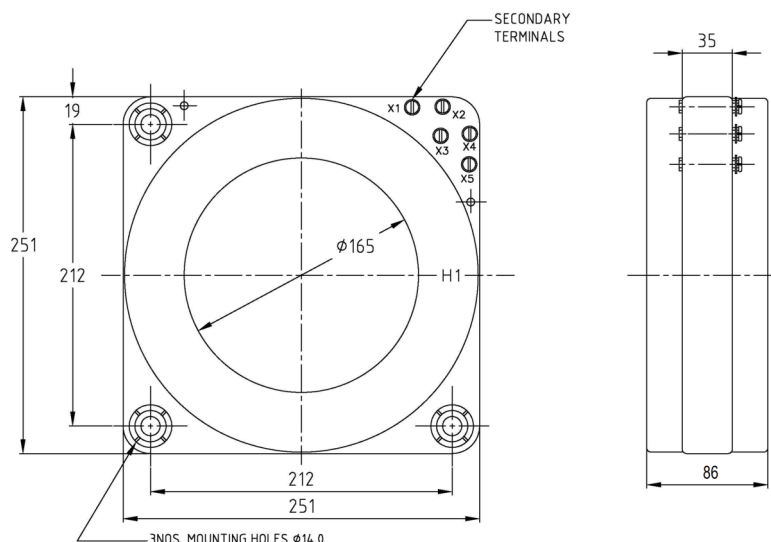


## Characteristics

Highest Voltage	0.66kV/0.72kV	Material Thermal Class	E
Standard	IEEE C57.13	Robust construction	Yes
Frequency	60Hz	BIL (full wave)	10 kV
UL Variant Available	No		

## IEEE C57.13 Class at 60Hz

Part Number	Ratio	Relay Class	Secondary winding rct OHMS @ 75°C	Class	Continuous thermal rating factor		Notes
					@ 30°C	@ 55°C	
520/42465	600MR/5	C100	0.225	0.3B0.5	2.0	1.5	Multi-ratio
521/42463	1200MR/5	C200	0.428	0.3B0.8	2.0	1.5	Multi-ratio
521/42464	2000MR/5	C200	0.665	0.3B1.8	2.0	1.5	Multi-ratio
521/45648	3000MR/5	C200	0.862	0.3B1.8	1.5	1.33	Multi-ratio
521/45649	4000MR/5	C200	1.2	0.3B1.8	1.0	0.8	Multi-ratio



Issue 04/2019