



Current Transformer

M 785 SR

Plastic cased current transformer ideal for Switchgear & Controlgear applications.

Manufactured with integral mounting points and suitable for Protection, Relaying or Measuring Classes with single primary ratios up to 6000A and 5A secondary.

Meets: IEEE C57.13 & IEC 61869 Standards

Window Diameter: 165mm



| Characteristics | | | |
|----------------------|---------------|------------------------|-------|
| Highest Voltage | 0.66kV/0.72kV | Material Thermal Class | E |
| Standard | IEEE C57.13 | Robust construction | Yes |
| Frequency | As Shown | BIL (full wave) | 10 kV |
| UL Variant Available | No | | |

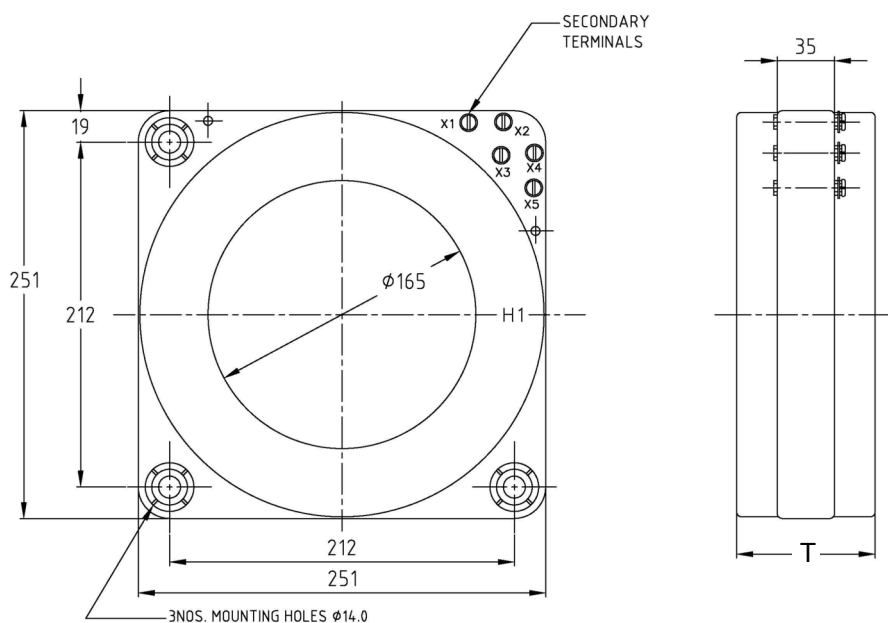
| IEEE C57.13 Classes at 60Hz | | | | | | | |
|-----------------------------|--------|-------------|---------------------|------|------|------|------|
| Part Number | Ratio | Relay Class | IEEE Metering Class | | | | |
| | | | B0.1 | B0.2 | B0.5 | B0.9 | B1.8 |
| 521/45698 | 50/5 | C10 | 2.4 | 4.8 | - | - | - |
| 521/45699 | 75/5 | C20 | 1.2 | 1.2 | 4.8 | - | - |
| 521/45700 | 100/5 | C20 | 0.6 | 1.2 | 2.4 | - | - |
| 521/45701 | 150/5 | C50 | 0.6 | 0.6 | 1.2 | 2.4 | - |
| 521/45702 | 200/5 | C50 | 0.3 | 0.3 | 0.6 | 1.2 | 2.4 |
| 521/45703 | 250/5 | C50 | 0.3 | 0.3 | 0.6 | 1.2 | 2.4 |
| 521/45704 | 300/5 | C100 | 0.3 | 0.3 | 0.3 | 0.6 | 1.2 |
| 521/45705 | 400/5 | C100 | 0.3 | 0.3 | 0.3 | 0.6 | 1.2 |
| 521/45706 | 500/5 | C100 | 0.3 | 0.3 | 0.3 | 0.3 | 0.6 |
| 521/45707 | 600/5 | C200 | 0.3 | 0.3 | 0.3 | 0.3 | 0.6 |
| 521/45708 | 750/5 | C200 | 0.3 | 0.3 | 0.3 | 0.3 | 0.3 |
| 521/45709 | 800/5 | C200 | 0.3 | 0.3 | 0.3 | 0.3 | 0.3 |
| 521/45710 | 1000/5 | C200 | 0.3 | 0.3 | 0.3 | 0.3 | 0.3 |
| 521/45711 | 1200/5 | C400 | 0.3 | 0.3 | 0.3 | 0.3 | 0.3 |
| 521/45712 | 1500/5 | C400 | 0.3 | 0.3 | 0.3 | 0.3 | 0.3 |
| 521/45713 | 1600/5 | C400 | 0.3 | 0.3 | 0.3 | 0.3 | 0.3 |
| 521/45714 | 2000/5 | C400 | 0.3 | 0.3 | 0.3 | 0.3 | 0.3 |
| 521/45715 | 2500/5 | C400 | 0.3 | 0.3 | 0.3 | 0.3 | 0.3 |
| 521/45716 | 3000/5 | C400 | 0.3 | 0.3 | 0.3 | 0.3 | 0.3 |
| 521/45717 | 4000/5 | C400 | 0.3 | 0.3 | 0.3 | 0.3 | 0.3 |

Issue 04/2019

**IEC 61869
Protection Classes at 50Hz**

**IEC 61869
Measuring Classes at 50Hz**

| Part Number | Ratio | Burden (VA) | | | | | Burden (VA) | | | | |
|-------------|--------|-------------|-------|-------|-------|------|-------------|-----|-----|-----|-----|
| | | 2.5 | 5 | 10 | 15 | 30 | 2.5 | 5 | 10 | 15 | 30 |
| 521/45718 | 50/5 | 10P20 | - | - | - | - | 3 | - | - | - | - |
| 521/45719 | 75/5 | 10P20 | 10P5 | - | - | - | 3 | 3 | - | - | - |
| 521/45720 | 100/5 | 5P30 | 10P20 | 10P10 | - | - | 1 | 1 | 3 | - | - |
| 521/45721 | 150/5 | 5P30 | 5P30 | 5P15 | 10P10 | 10P5 | 0.5 | 1 | 1 | 3 | 3 |
| 521/45722 | 200/5 | 5P30 | 5P30 | 5P20 | 5P10 | 10P5 | 0.5 | 0.5 | 0.5 | 1 | 3 |
| 521/45723 | 250/5 | 5P30 | 5P30 | 5P30 | 5P20 | 5P10 | 0.5 | 0.5 | 0.5 | 0.5 | 1 |
| 521/45724 | 300/5 | 5P30 | 5P30 | 5P30 | 5P20 | 5P10 | 0.2 | 0.5 | 0.5 | 0.5 | 1 |
| 521/45725 | 400/5 | 5P30 | 5P30 | 5P30 | 5P20 | 5P10 | 0.2 | 0.5 | 0.5 | 0.5 | 1 |
| 521/45726 | 500/5 | 5P30 | 5P30 | 5P30 | 5P30 | 5P20 | 0.2 | 0.2 | 0.2 | 0.5 | 0.5 |
| 521/45727 | 600/5 | 5P30 | 5P30 | 5P30 | 5P30 | 5P20 | 0.2 | 0.2 | 0.2 | 0.2 | 0.5 |
| 521/45728 | 750/5 | 5P30 | 5P30 | 5P30 | 5P30 | 5P30 | 0.2 | 0.2 | 0.2 | 0.5 | 0.5 |
| 521/45729 | 800/5 | 5P30 | 5P30 | 5P30 | 5P30 | 5P30 | 0.2 | 0.2 | 0.2 | 0.2 | 0.2 |
| 521/45730 | 1000/5 | 5P30 | 5P30 | 5P30 | 5P30 | 5P30 | 0.2 | 0.2 | 0.2 | 0.2 | 0.2 |
| 521/45731 | 1200/5 | 5P30 | 5P30 | 5P30 | 5P30 | 5P30 | 0.2 | 0.2 | 0.2 | 0.2 | 0.2 |
| 521/45732 | 1500/5 | 5P30 | 5P30 | 5P30 | 5P30 | 5P30 | 0.2 | 0.2 | 0.2 | 0.2 | 0.2 |
| 521/45733 | 1600/5 | 5P30 | 5P30 | 5P30 | 5P30 | 5P30 | 0.2 | 0.2 | 0.2 | 0.2 | 0.2 |
| 521/45734 | 2000/5 | 5P30 | 5P30 | 5P30 | 5P30 | 5P30 | 0.2 | 0.2 | 0.2 | 0.2 | 0.2 |
| 521/45735 | 2500/5 | 5P30 | 5P30 | 5P30 | 5P30 | 5P30 | 0.2 | 0.2 | 0.2 | 0.2 | 0.2 |
| 521/45736 | 3000/5 | 5P30 | 5P30 | 5P30 | 5P30 | 5P30 | 0.2 | 0.2 | 0.2 | 0.2 | 0.2 |
| 521/45737 | 4000/5 | 5P30 | 5P30 | 5P30 | 5P30 | 5P30 | 0.2 | 0.2 | 0.2 | 0.2 | 0.2 |



| Model No | T |
|----------|--------|
| ITL/M780 | 86 mm |
| ITL/M781 | 86 mm |
| ITL/M785 | 172 mm |
| ITL/M786 | 172 mm |