

Current Transformer

M 786 MR

Plastic cased current transformer ideal for Switchgear & Controlgear applications.

Manufactured with integral mounting points and suitable for Protection or Relaying Classes with multi-primary ratios up to 4000A and 5A secondary.

Window Diameter: 165mm

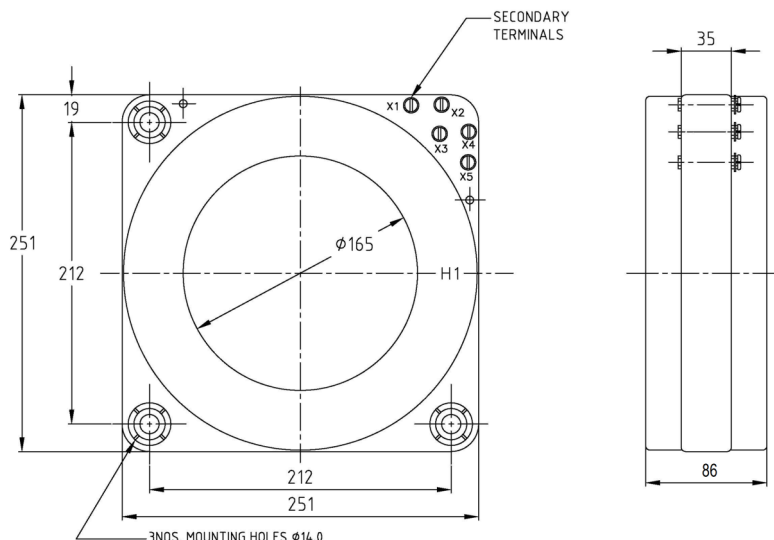


Characteristics

Highest Voltage	0.66kV/0.72kV	Material Thermal Class	E
Standard	IEEE C57.13	Robust construction	Yes
Frequency	60Hz	BIL (full wave)	10 kV
UL Variant Available	No		

IEEE C57.13 Class at 60Hz

Part Number	Ratio	Relay Class	Metering Class	Continuous thermal rating factor		Notes
				@ 30°C	@ 55°C	
521/45738	600MR/5	C200	0.3B0.9	2.0	1.5	Multi-ratio
521/45739	1200MR/5	C400	0.3B1.8	2.0	1.5	Multi-ratio
521/45740	2000MR/5	C400	0.3B1.8	2.0	1.5	Multi-ratio
521/45741	3000MR/5	C400	0.3B1.8	1.33	1.0	Multi-ratio
521/45742	4000MR/5	C400	0.3B1.8	1.33	1.0	Multi-ratio



Model No	T
ITL/M780	86 mm
ITL/M781	86 mm
ITL/M785	172 mm
ITL/M786	172 mm

Issue 04/2019