

# BLUE INSTRUMENT

TRANSFORMERS



**TRENCH**

# Future Requirements to Electrical Equipment

## Environmental Sustainability and Digitalization



### Reliable Power Supply

Network availability  
Sustainability  
Safety  
HVDC - Transmission



### Environmental Protection

Water protection (oil leakage)  
Climate protection (CO2 emissions)  
Alternative insulating gases to SF6  
in order to reduce its deployment  
and emissions during manufacturing



### Economic Efficiency

Decentralized power supply  
Life cycle cost (investments,  
service, maintenance, recycling)  
Digital Substation

Trench is leading the shift to reduce the presence of SF6 in the instrument transformers by proposing

**totally SF6 free transformers** up to 245 kV.

**Long term sustainability** and **No environmental compromises.**

Our portfolio of **CLEAN AIR Instrument Transformers** is now tested and available for worldwide applications.

## PRODUCT DESIGN

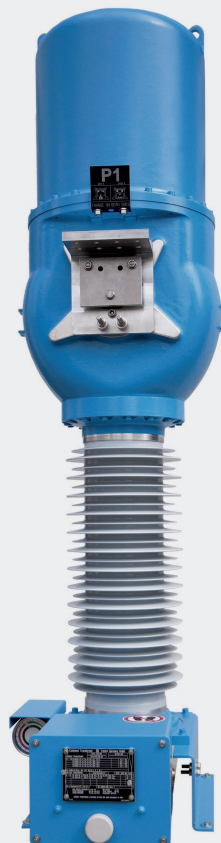
Complete portfolio available from 72 to 245 kV:  
current transformers, voltage transformers  
and combined current-voltage transformers

No environmental compromises and never  
subjected to gas taxation.

Internal insulation is made by clean air, thus:

**F-gas free** insulation with lowest  
requirements on training, transport,  
installation, operation, reporting and recycling

**C-gas free** with no risk of C-decomposition  
No gas recycling required



## CUSTOMER BENEFITS

### ENVIRONMENTAL BENEFITS

No Global Warming Potential: GWP = 0  
No Ozone Depletion Potential: ODP = 0

### TECHNICAL BENEFITS

Based on the proven SF6 instrument  
transformer designs

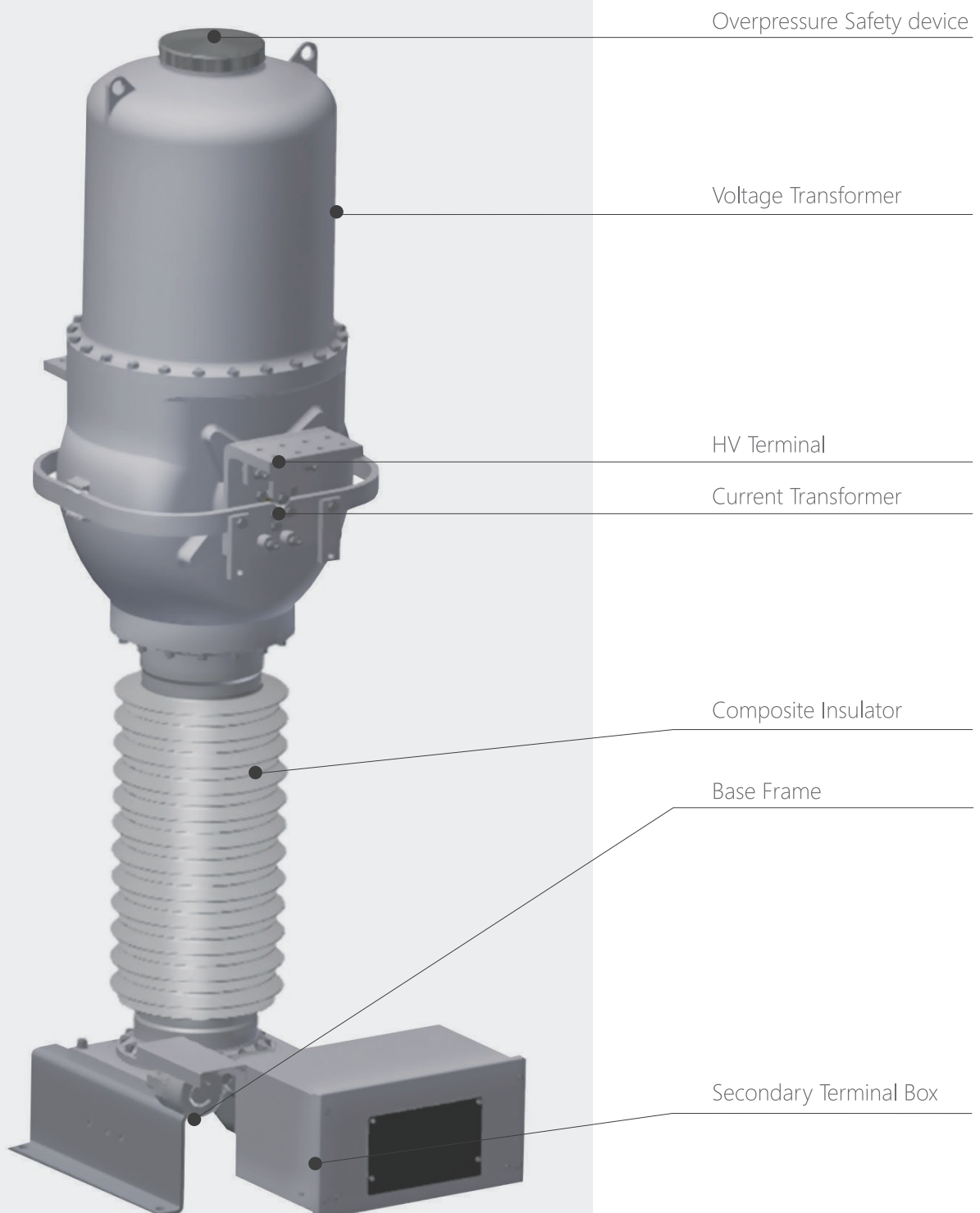
Suitable for low temperature applications at  
-50°C and below

Maintenance free during a long lifetime of  
more than 30 years

No reporting or emission costs during  
operation and recycling:

- No SF6- or F-gas tax or future risk
- No CO2 emission compensation or future risk
- No F-gas documentation or reporting costs
- No risk of F-gas gas recycling costs

# PRODUCT STRUCTURE



**Trench Canada**

1865 Clements Road  
L1W 3R8 Pickering,  
Ontario CANADA  
t. +1 416 298 8108  
f. +1 416 298 2209

**Trench Germany**

Nürnbergger Straße 199  
96050 Bamberg  
Germany  
t. +49 951 1803 0  
f. +49 951 1803 224

**Trench Italia**

Strada Curagnata, 37  
17014 Cairo Montenotte  
Italy  
t. +39 019 5161 111  
f. + 39 019 5161 401

**Trench High Voltage Shenyang**

No. 2 Jingshenxisan Street  
Daiyi Economic  
Development Zone  
Shenbei New District, Shenyang 110136  
People's Republic of China  
t. 86-24-8 89 23 99  
f. 86-24-89 73 72 00

**Siemens India**

Registered & Corporate Office  
Birla Aurora, Level 21,  
Plot No. 1080,  
Dr. Annie Besant Road, Worli,  
Mumbai - 400030



**TRENCH**