



## TECHNICAL DATA SHEET

### Current Sensor

**Phase current sensor  
NxxxR-xx**

**Non-conventional -  
instrument current transformer**



#### Description

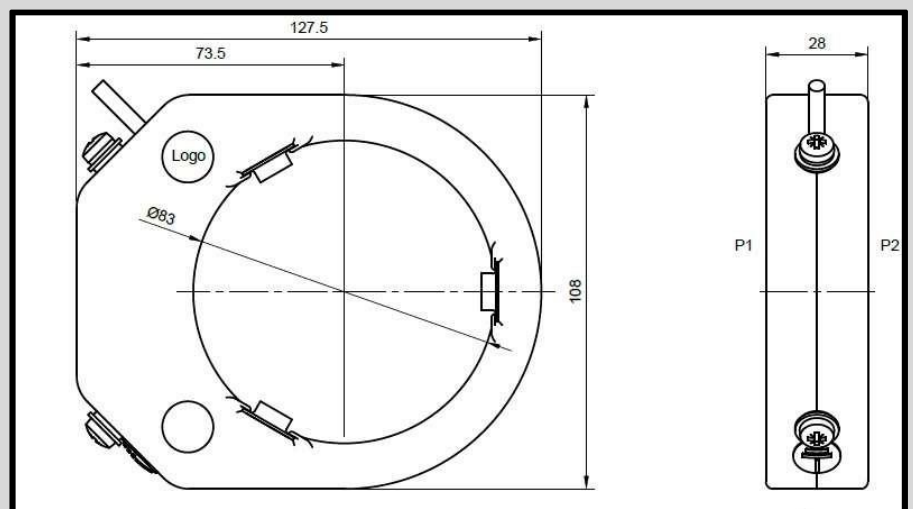
The current sensor range of sensors unifies high cost efficiency with maximum accuracy in a combined testing system. This product is designed for use in conjunction with devices, which are compatible to the IEC standard. This current sensor is for installation on bushings in gas insulated switchgears

#### Features

- No calibration on site is needed
- Class 3/1/0,5/0,5S/0,2 & 5P20 acc. IEC61869-10
- Cost efficient design
- Self holding construction
- For different T-cable connectors
- Accuracy over complete lifespan

#### Dimensions

The current transformer has an outer diameter of 127.5 mm and an inner diameter of 108 mm, which fits on most bushings in GIS. The clamping is done by 3 holders, which are located in the inner diameter.

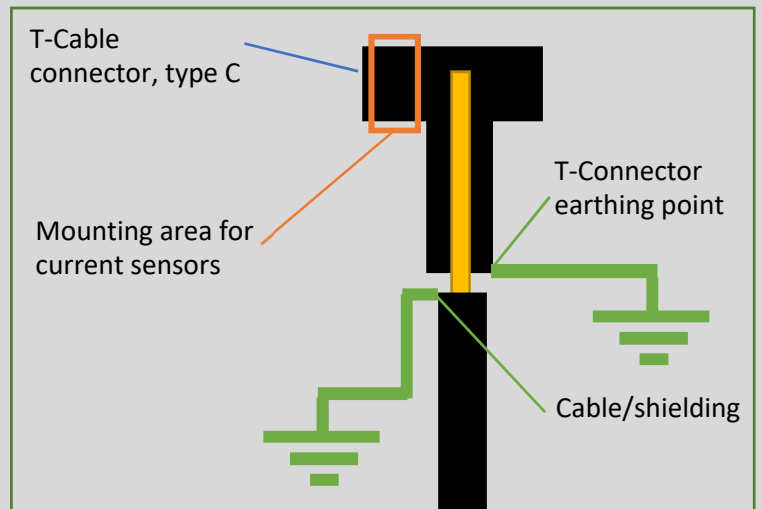


## Installation

The current sensors are simple to install, during the first installation of the T-connector, the sensor is shifted on the room between the gas insulated cabin and the T-connector.

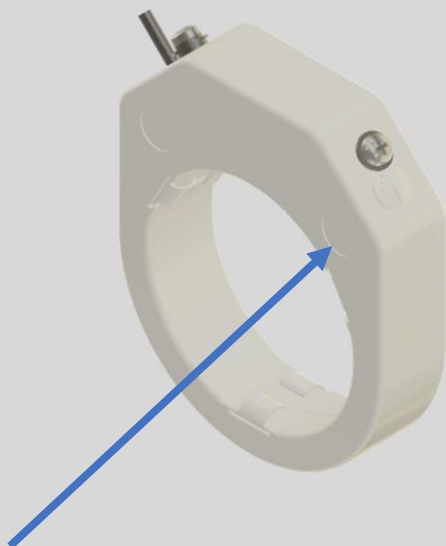
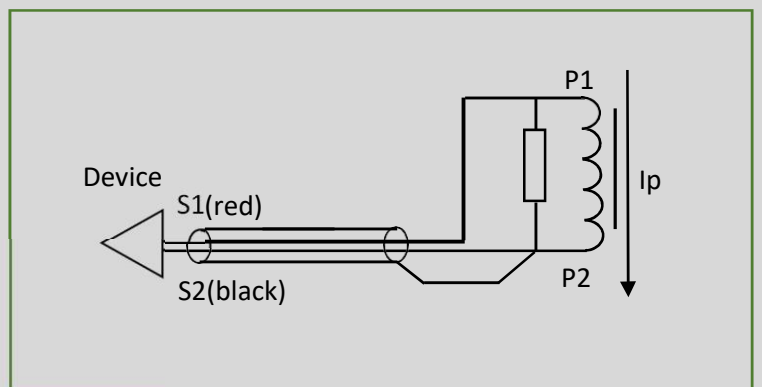
There are some important points that must be considered during the installation process:

- Always power down before installation
- Due to the design of this product, there is no danger of high voltages, if the sensor is not short circuited or connected to a measurement device
- Only for insulated cables or insulated areas on the T-cable connector, maximum voltage 720VAC<sub>R.M.S</sub>



## Connection

The current sensor is directly connected to a measurement device.



**Pay attention to the P1, P2 marking**

## Specification

Applied Standards:	IEC61869-10
Primary current:	300A, Ext. 200%*
Secondary output:	225mV*
Burden:	>20k $\Omega$
Rated short time thermal current:	25kA, 3s
Isolation voltage:	720V <sub>AC</sub> /3kV/-
Accuracy class:	3/1/0,5/0,5S/0,2 according IEC61869-10
Protection class:	max. 5P10
Operating temperature range:	-25°C to +55°C
Storage temperature range:	-40°C to +80°C
Frequency:	50 or 60Hz
Cable:	2pole, shielded, twisted pair, 2m or more acc. customer definition, open ends (red-S1, black-S2)

\*... or customer defined

*Issue: 24.03.2019*

Instrument Transformers Limited, 2/4 Lithgow Place, East Kilbride. Scotland G74 1PW. U.K.  
t: +44 (0) 1355 236 057 e: sales@itl-uk.com w: itl-uk.com