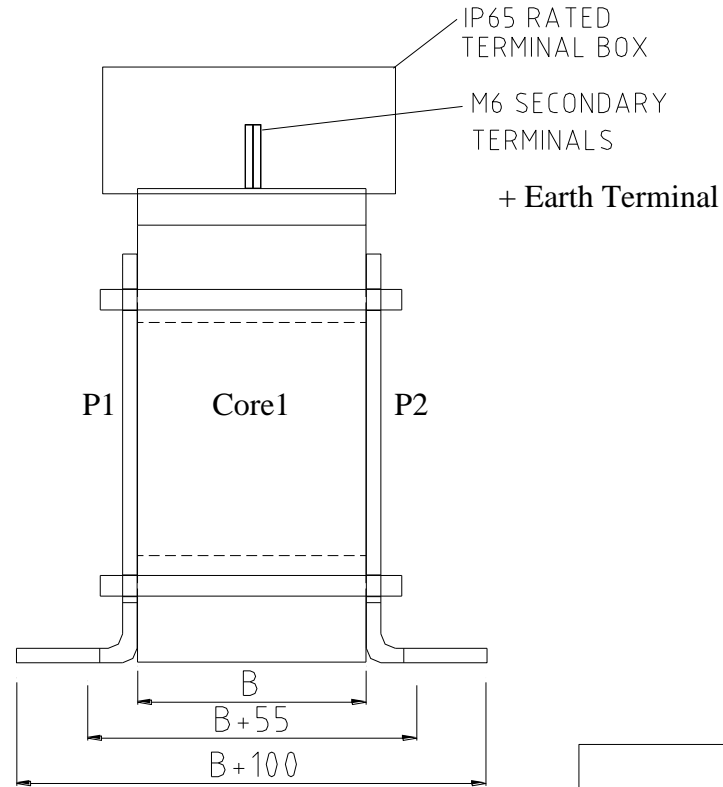
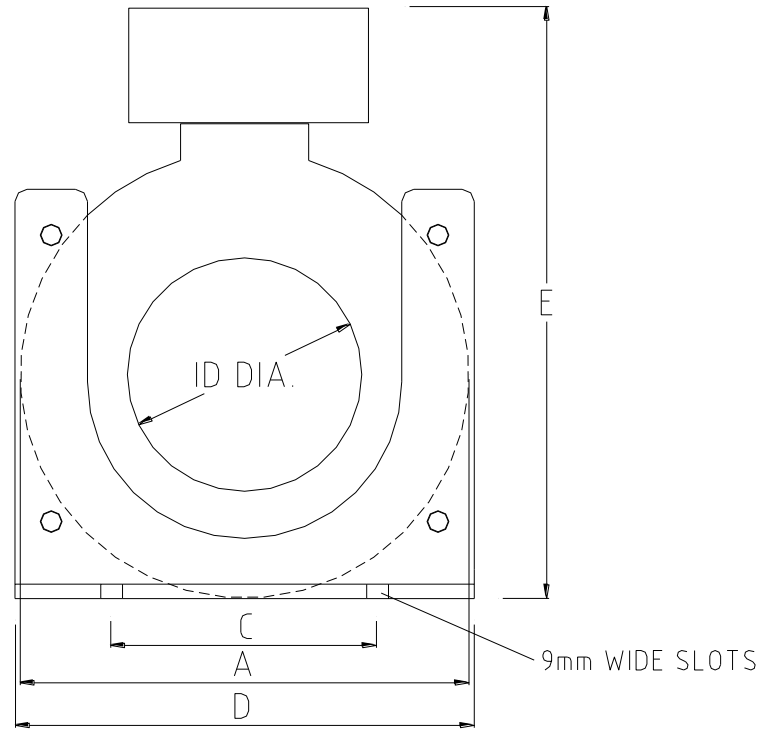
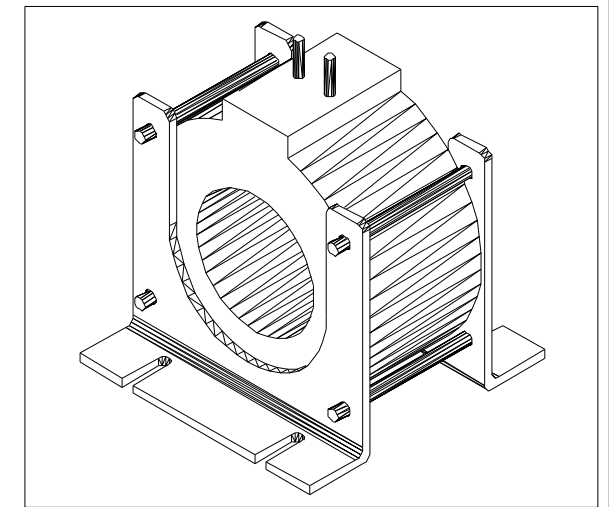


CA/A 9029

THIRD ANGLE PROJECTION



Item	Ratio	VA/Class	ID	A	B	C	D	E	Wt kg
503/33230	1000-500/1	PX	150	300	100	170	300	390	30
503/33231	400/1	PX	150	300	90	170	300	390	25
Additional terminal provided for core earth connection									



DIMENSIONS IN MM

ISS	DATE	REV	MATERIAL :	SCALE	INSTRUMENT TRANSFORMERS LTD. EAST KILBRIDE					
1	01/02/2014	0		NTS	TITLE RESIN ENCAPSULATED CURRENT TRANSFORMER					
			FINISH	DRAWN						GM
			TOLERANCE :	APP						
					CA/A 9029					